



VZ-S-Residential Axial Exhaust Fan



- For constant or periodic exhaust ventilation of bathrooms, kitchens and other domestic compartments.
- For mounting in air shafts or connection with air ducts.
- Modern design.
- The motor is installed on rolling bearings. Does not require additional service.
- The motor is equipped with overheating protection.
- Fixing to the mounting place is carried out by means of screws.
- The front panel of all models is equipped with light indication of fan operation.
- For all models the installation of BDS series valve with spring mechanism for protection against back draft is possible (BDS valve is included with models '-C').
- All models have a wide range of options.
- Degree of cover protection of an electric equipment against penetration of solid objects and water - IPX4.



Fan Colour	White	Motor Insulation Class	B Class
Impeller Material	High Structure ABS Plastic	Motor Bearing System	Sleeve Bearing
Body Material	High Structure ABS Plastic	Motor Enamelled Wire	100 % Copper
Working Temperature	-20 - +50 °C	Motor Protection	Over Heating Protection
Standards	IEC-CB-EN 60335-2-80	Motor Brand	VentEurope

Specifications

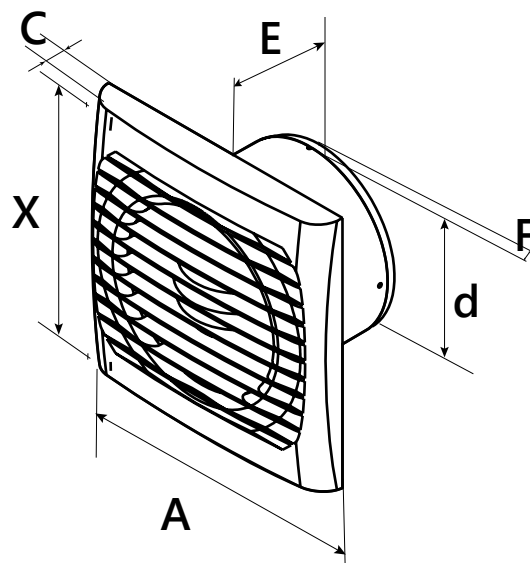
Model	Diameter, mm	Power Watt	Capacity m ³ /h	Pressure Pa	Noise level, db(A)	Current Amps
VZ100-S	100	10	97	28	35	0,06
VZ125-S	125	12	183	50	36	0,07
VZ150-S	150	16	290	52	38	0,07

Dimensions

Model	A	X	E	d	C	F*
VZ100-S	150	135	55	98	22	7
VZ125-S	175	160	61	123	23	8,5
VZ150-S	200	185	62	148	24	10

All dimensions are mm.

* - Only fans with back flow valve have this size



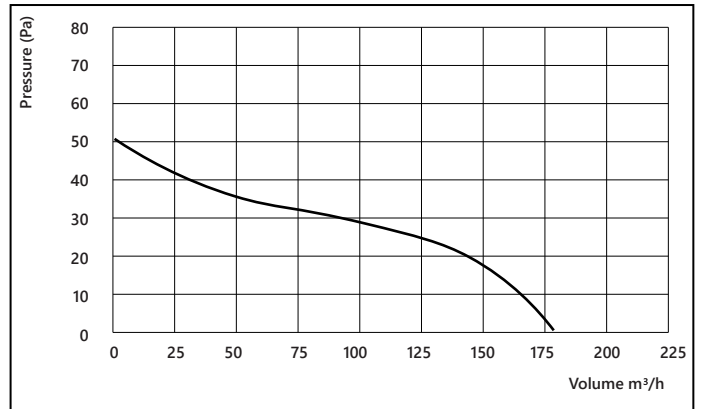
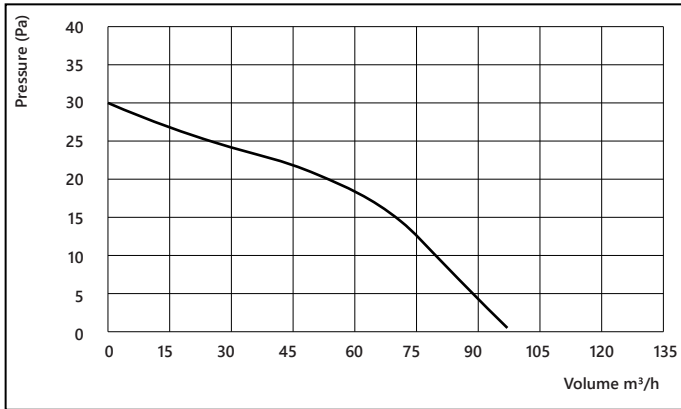


VZ-S-Residential Axial Exhaust Fan

Diagrams

VZ-S-100

VZ-S-125



VZ-S-150

