



VZ-QF-Residential Axial Exhaust Fan



- Silent fan , 25 dB sound level
- For constant or periodic exhaust ventilation of bathrooms, kitchens and other domestic compartments.
- For mounting in air shafts or connection with air ducts.
- Modern design.
- Case and impeller are made from the high-quality ABS plastic, resistant to ultraviolet.
- Impeller construction allows to increase the fan efficiency and service life of the motor.
- The motor on ball-bearings with the extended operational life (up to 40 000 working hours) and low energy consumption is installed. Intended for the continuous operation and does not require additional service.
- The motor is equipped with overheating protection.
- Fixing to the mounting place is carried out by means of screws.
- Degree of cover protection of an electric equipment against penetration of solid objects and water- IPX5, for the options timer and humidity combinations- IPX4.
- 5 Year Guarantee.
- IEC CB 60335-2-80 quality certificate.



Optional Colours



Silver



Black



Gold



Champagne

Fan Colour	White	Motor Insulation Class	B Class
Impeller Material	High Structure ABS Plastic	Motor Bearing System	Ball Bearing
Body Material	High Structure ABS Plastic	Motor Efficiency Class	A+
Working Temperature	-20 - +50 °C	Motor Protection	Over Heating Protection
Standards	IEC-CB-EN 60335-2-80	Motor Brand	VentEurope

Specifications

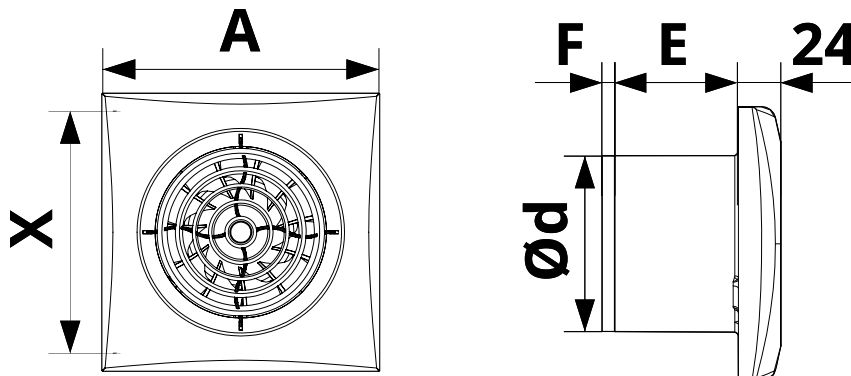
Model	Diameter, mm	Power Watt	Current Amps	Capacity m ³ /h	Pressure Pa	Noise level, db(A)
VZ100-QF	100	8,4	0,04	90	48	25
VZ125-QF	125	10,0	0,05	180	58	30
VZ150-QF	150	16,0	0,07	315	90	33

Dimensions

Model	A	X	E	d	F*
VZ100-QF	155	135	70	98	7
VZ125-QF	175	155	78	123	8,5
VZ150-QF	215	215	130	148	10

All dimensions are mm.

* - Only fans with back flow valve have this size



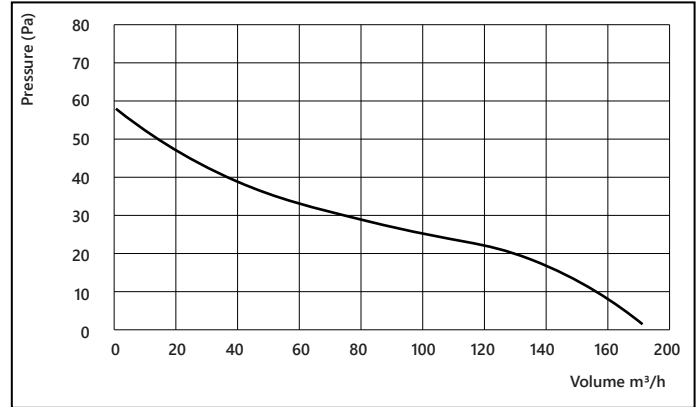
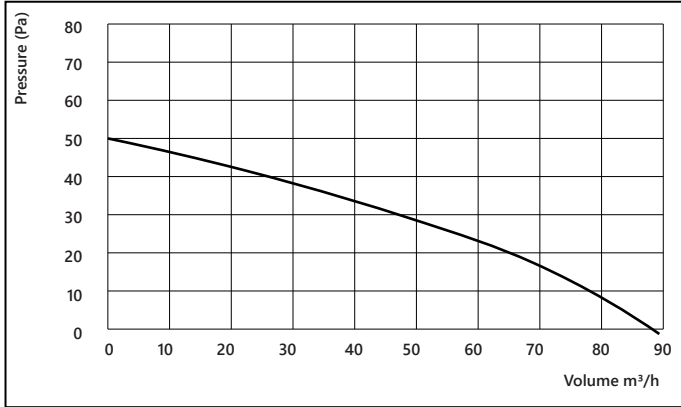


VZ-QF-Residential Axial Exhaust Fan

Diagrams

VZ-QF-100

VZ-QF-125



VZ-QF-150

