

VE-CFG-GL Centrifugal In-Line Fans



- In-line centrifugal fans in High structure galvanised steel casing.
- They are designed for supply and exhaust ventilation systems.
- Exhaust or supply ventilation depends on the fan installation in the system.
- Sealed terminal box—IP55.
- Single-phase motor external ball bearing rotor is equipped with a centrifugal impeller, with backward curved blades. It has built-in thermal protection with automatic restart.
- The fans are equipped with an impeller with metal blades.
- They are designed for duct mounting with air ducts of the appropriate diameter at any point of the ventilation system and at any angle.
- It is attached to the wall or ceiling using anchor brackets.
- Speed adjustment is possible. It can be either smooth or stepped and carried out using a thyristor or autotransformer regulator. Several fans can be connected to one control device, provided that their total power and operating current do not exceed the nominal parameters of the regulator.
- Ingress protection rating for the electrical equipment against solids and water—IPX4, for the motor—IP55.

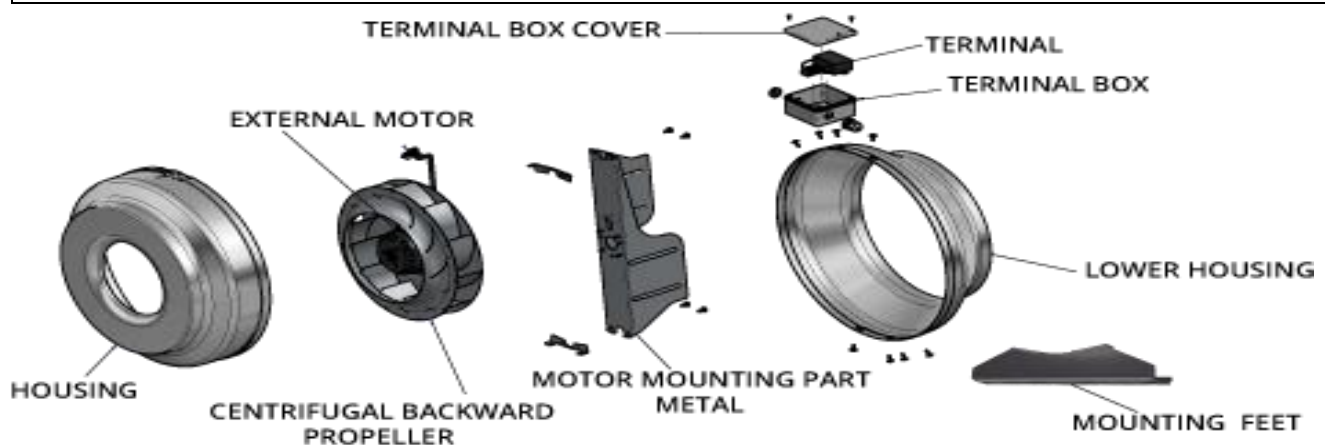


Fan Color	Galvanised Grey	Motor Insulation Class	H Class
Impeller Material	High Strucrer Galvanised	Motor Bearing	Ball Bearing
Body Material	High Strucrer Galvanised	System Motor	A
Working Temperature	-20 - +60 °C	Efficiency Class Motor	Over Heating Protection*
Standards	EN 60335-2-80	Protection	AC External Motor-Rotor
		D	
		Motor Type	

Specifications

MODEL	VOLTAGE (V)	FREQUENCY (Hz)	POWER (W)	FAN SPEED (rpm/min-1)	FLOW RATE (m / h)	NOISE LEVEL (dBA)
VE-100-CFG-GL	230	50/60	80	2610	250	50
VE-125-CFG-GL	230	50/60	80	2325	320	55
VE-150-CFG-GL	230	50/60	85	2385	410	55
VE-160-CFG-GL	230	50/60	85	2385	410	55
VE-200-CFG-GL	230	50/60	122	2550	810	56
VE-250-CFG-GL	230	50/60	145	2635	1120	58
VE-315-CFG-GL	230	50/60	210	2660	1750	60
VE-355-CFG-GL	230	50/60	380	2420	2200	62

Values are for 0 Pa

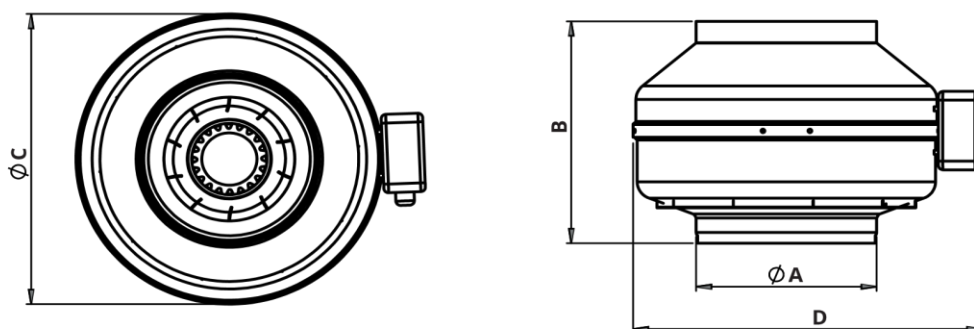


VZ-CFG-GL Centrifugal In-Line Fans

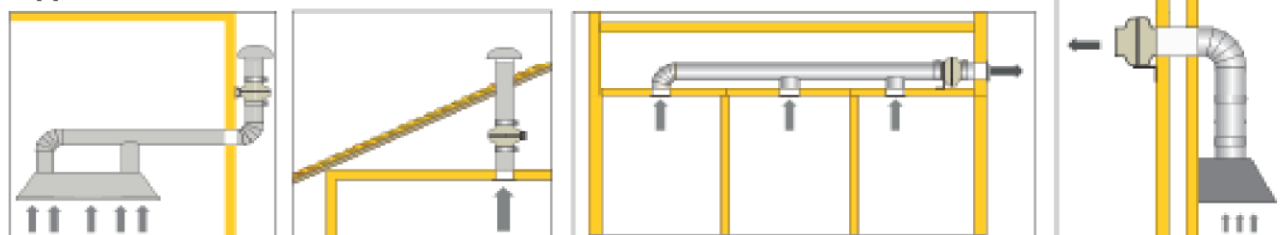
Dimensions

MODEL	A	B	C	D
VZ-100-CFG-GL	100	208	246	290
VZ-125-CFG-GL	125	208	246	290
VZ-150-CFG-GL	150	196	270	320
VZ-160-CFG-GL	160	196	270	320
VZ-200-CFG-GL	200	255	333	380
VZ-250-CFG-GL	250	234	331	380
VZ-315-CFG-GL	315	283	401	450
VZ-355-CFG-GL	355	283	401	450

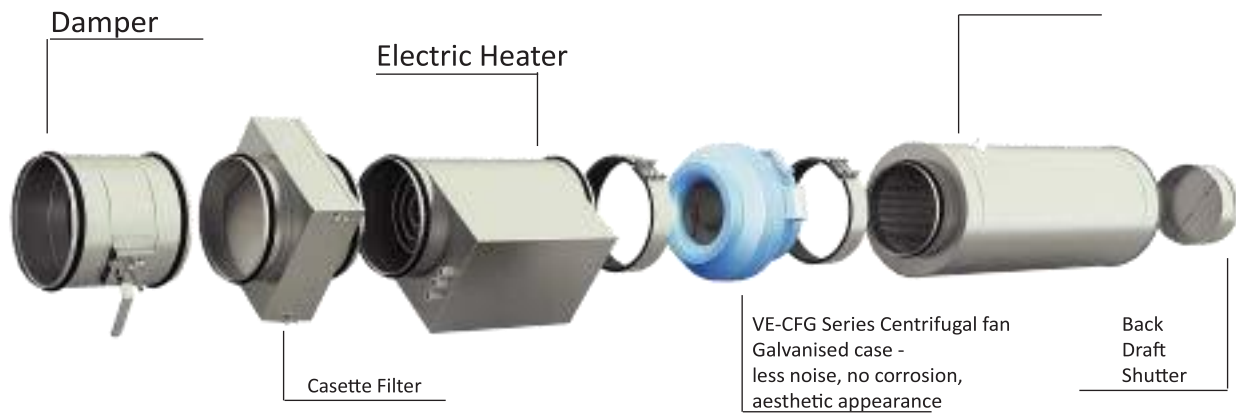
All dimension are mm.



Application

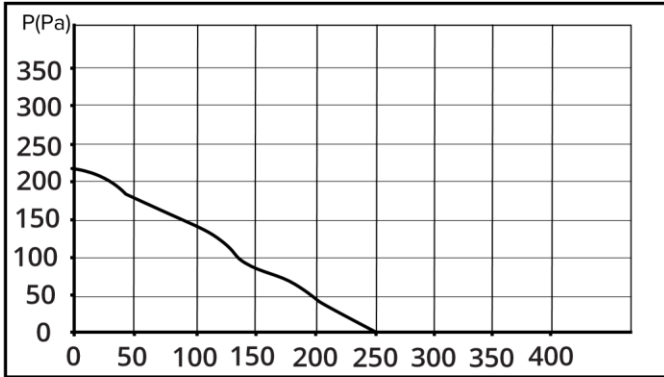
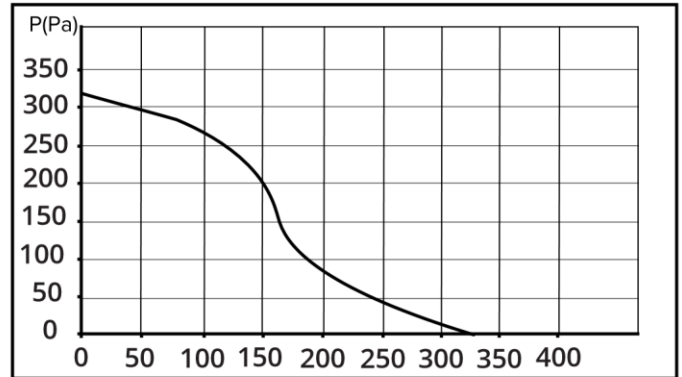
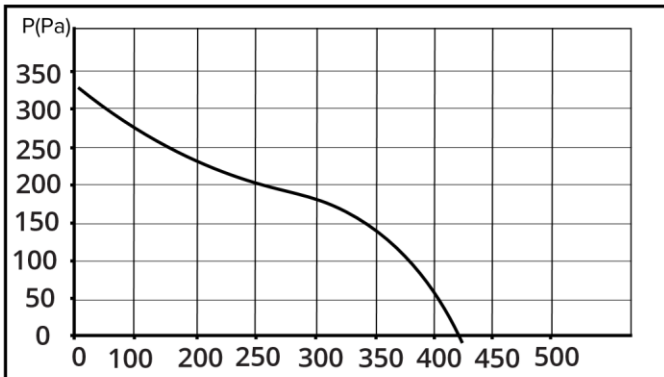
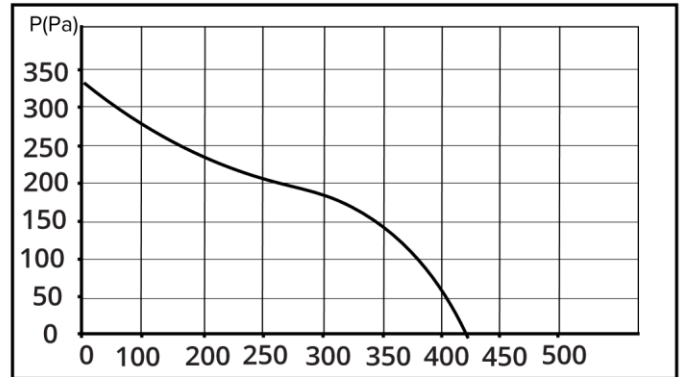
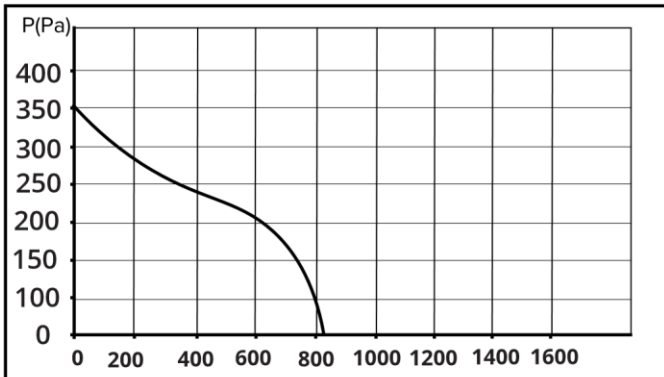
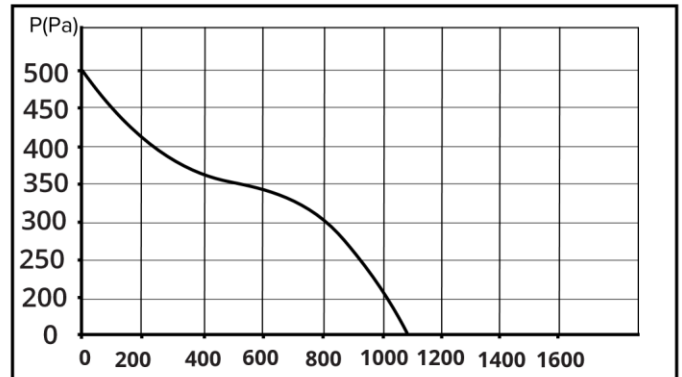
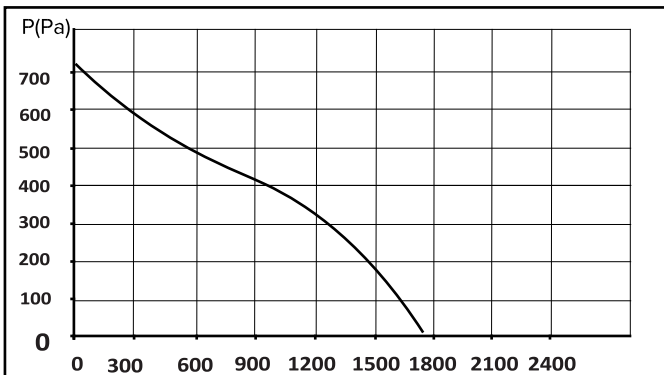


Application accessories



VE-CFG-GL Centrifugal In-Line Fans

Diagrams

VE-100-CFG-GL

VE-125-CFG-GL

VE-150-CFG-GL

VE-160-CFG-GL

VE-200-CFG-GL

VE-250-CFG-GL

VE-315-CFG-GL

VE-355-CFG-GL
